

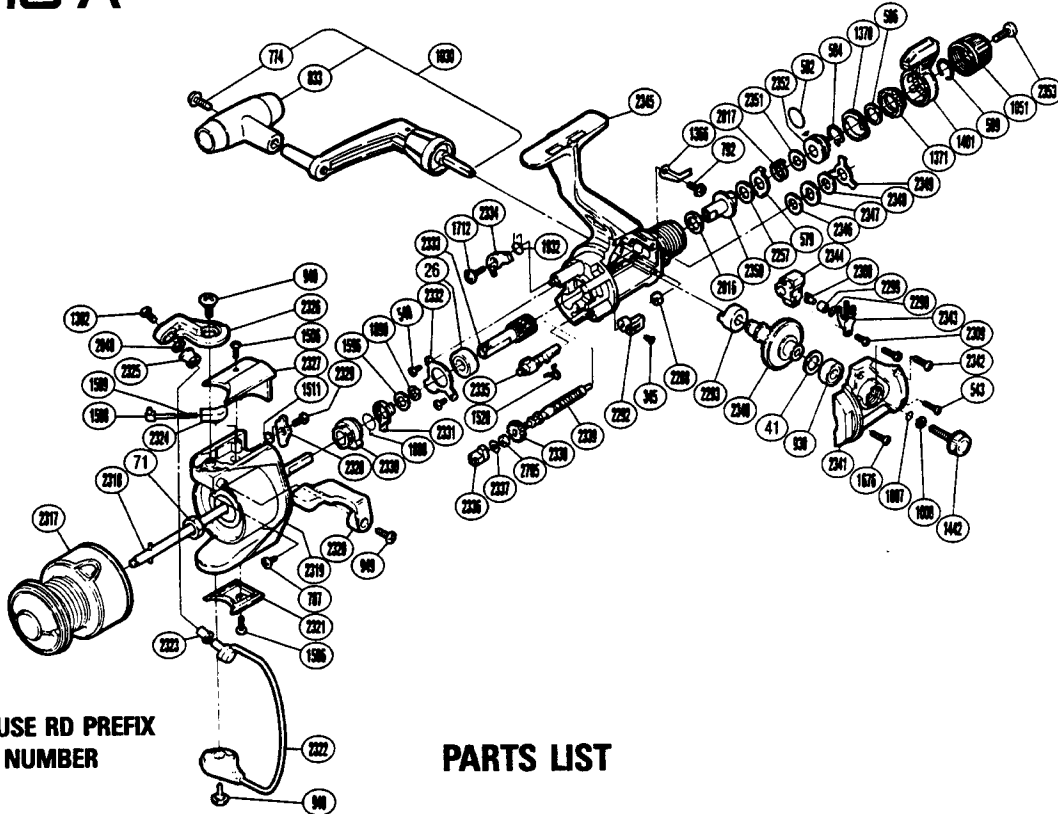
**EXPLODED PARTS VIEW**



**SHIMANO®**

**1990 REPAIR MANUAL**

Shimano American Corporation, One Shimano Dr.  
Irvine, CA 92718



**TO ORDER: USE RD PREFIX  
WITH PART NUMBER**

**PARTS LIST**

RD #	DESCRIPTION	RD #	DESCRIPTION	RD #	DESCRIPTION
0026	Ball Bearing	1509	Bail Spring	2326	Arm Cam
0041	Drive Gear Washer	1511	Lever Spring	2327	Bail Spring Cover
0071	Rotor Nut	1520	Anti-Reverse Cam Spring	2328	Bail Trip Lever
0345	Anti-Reverse Lever Screw	1596	Bushing Washer	2329	Bail Trip Lever Screw
0540	Anti-Reverse Pawl Screw	1676	Side Cover Screw	2330	Anti-Reverse Ratchet
0543	Side Cover Screw (B)	1712	Anti-Reverse Pawl Screw	2331	Anti-Reverse Lock Out
0579	Eared Washer "B"	1888	Anti-Reverse Lock Out Spring	2332	Bearing Retainer
0582	"O" Ring	1890	Bushing Washer	2333	Pinion Gear
0584	Hold Click Spring	1932	Anti-Reverse Pawl Spring	2334	Anti-Reverse Pawl
0586	Fightin' Pressure Screw Washer	2016	Drag Washer "H2" (White)	2335	Anti-Reverse Cam
0589	Lever Hold Spring	2017	Drag Coil Spring	2336	Worm Bearing (Front)
0774	Handle Knob Screw	2048	Line Roller Washer	2337	Worm Shaft Spacer
0787	Nut Lock Screw	2257	Drag Washer "H1"	2338	Idle Gear
0792	Bearing Retainer Screw	2288	Worm Bearing	2339	Worm Shaft
0833	Handle Knob	2292	Anti-Reverse Lever	2340	Drive Gear
0930	Ball Bearing	2293	Drive Gear Bushing	2341	Side Cover
0940	Bail Trip Cam Screw	2298	Spacer	2342	Side Cover Screw (B)
0949	Trigger Screw	2299	Oscillating Slider Bushing	2343	Oscillating Slider Retainer
1007	Lock Washer Retainer	2300	Oscillating Pawl	2344	Oscillating Slider
1008	Handle Lock Washer	2309	Slider Retainer Screw	2345	Body
1030	Handle Assembly	2317	Spool Assembly	2346	Drag Washer "C2" (White)
1051	Drag Knob	2318	Main Shaft	2347	Click Gear
1302	Line Roller Screw	2319	Rotor	2348	Drag Washer (C1)
1366	Drag Click	2320	Quick-Fire II Trigger	2349	Eared Washer "BF"
1370	Lever Click Gear	2321	Rotor Side Cover	2350	Drag Shaft
1371	Fightin' Pressure Screw	2322	Bail Assembly	2351	Drag Spring Washer
1401	Fightin' Drag II Lever	2323	Line Roller Bushing	2352	Pressure Screw
1442	Handle Screw Cap	2324	Bail Spring Guide (B)	2353	Drag Programmer Screw
1506	Bail Spring Cover Screw	2325	Sic Ceramic Roller	2705	Idle Gear Spacer
1508	Bail Spring Guide A				